

Application for Commercial Building Permit

173 E Ash St.
Pottsville, AR
479-968-3029

Contractor Information:

Name: _____ Address: _____

State License Number: _____ Phone Number: _____

LicenseType: _____ Limits: _____

Hereby make application for a permit to: Construct: _____ Remodel: _____ Addition: _____

Type of Construction:

Construction Site Address: _____ Property Owner: _____

Dimensions: Length: _____ ft. Width: _____ ft. Height of Walls: _____ ft.

Foundations: Monolithic Slab: _____ Footing & Block: _____ Floor: Concrete: _____ Wood: _____

Exterior Walls: Brick: _____ Masonry: _____ Wood: _____ Metal: _____

Roof: Built-up: _____ Wood Shake: _____ Comp. Shingles: _____ Metal: _____

Interior Finish: Sheet Rock: _____ Paneling: _____ Number of Stories: _____

Distance to Property Lines: North _____ ft. South _____ ft. East _____ ft. West _____ ft.

Construction to commence on:

Sewer: _____ Septic: _____ Acreage: _____ Perc Test: _____ Health Dept Approval: _____ No. of parking spaces: _____

Estimated Cost of Construction Based on Materials & Labor: _____

Permit Fee: \$ _____ Collected: \$ _____ Receipt No. _____

If permit is granted, I hereby agree to erect said building according to the above plans and specifications and to complete all work in accordance with standard building codes. Also, the contractor will provide a dumpster or appropriate container on site. This dumpster/container shall be large enough to accommodate all trash from worksite/project. The contractor shall ensure its agent or sub-contractor shall put all trash in dumpster. You are required to be present at the Planning & Zoning meeting for the application to be considered.

Signed: _____ Date: _____

The Building Inspector of the City of Pottsville, Arkansas hereby _____ the above application for building permit.

Remarks: _____

Permit No. _____ Building Inspector: _____

Requirements for commercial building permit to be issued

- | | Yes | No |
|---|--------------------------|--------------------------|
| 1. Building has to be on a separately deeded piece of property. | <input type="checkbox"/> | <input type="checkbox"/> |
| 2. Land must be zoned in the correct category for commercial use. | <input type="checkbox"/> | <input type="checkbox"/> |
| 3. Valid survey of property where building is to be constructed. | <input type="checkbox"/> | <input type="checkbox"/> |
| 4. Completed building permit application. | <input type="checkbox"/> | <input type="checkbox"/> |
| 5. Comprehensive Set of architectural plans for construction of building. | <input type="checkbox"/> | <input type="checkbox"/> |
| <i>These plans must adequately and completely set out building dimensions as well as proposed plumbing and electrical, as well as exits, heat/air, proposed capacity gas lines and fire hydrants. This is not an exhaustive list.</i> | | |
| 6. Local/State Fire Marshal approval of plans. | <input type="checkbox"/> | <input type="checkbox"/> |
| 7. Building Permit fee paid. | <input type="checkbox"/> | <input type="checkbox"/> |

Items 3, 4, and 5 will have to be presented to the City, Fire Chief, and Each Planning and Zoning Committee Member two (2) weeks prior to the regular Planning and Zoning Committee Meeting, Per City Ordinance 06-7.

These specifications must be RECEIVED by the above individuals no later than two weeks before any regular Planning and Zoning Committee meeting. Bringing the above information to City Hall two weeks before any regular Planning and Zoning Committee meeting DOES NOT comply with Ordinance 06-7. The person has the obligation to provide this information to those mentioned above.

The Planning and Zoning Committee meets the 1st Monday of each month at 6:00pm.

Fire Code Enforcement

Building Code Enforcement

DRAWINGS/SPECIFICATIONS

The provisions of the Standard Building Code, Standard Fire Prevention Code, Standard Housing Code, Standard Mechanical Code, NFPA Life Safety Code, National Electric Code, Arkansas State Plumbing Code, Standard Existing Building Code, and all codes adopted by reference shall apply to the construction, alteration, repair, equipment, use and occupancy, location, maintenance, removal, and demolition of every building or structure or any appurtenances connected or attached to such building or structure.

Requirements: When required by the Building Official, two or more copies of specifications and of drawings drawn to scale with sufficient clarity and detail to indicate the nature and character of the work shall accompany the application for a permit. Such drawing and specifications shall contain information, in the form of notes or otherwise, as to the quality of materials, where quality is essential to conformity with the technical code. Such information shall be specific, and the technical codes shall not be cited as a whole or in part nor shall the term "legal" or its equivalent be used, as a substitute for specific information. All information, drawings, specifications and accompanying data shall bear the name and signature of the person responsible for the design.

Additional Data: The Building Official may require details, computations, stress diagrams, and other data necessary to describe the construction or installation and the basis of calculations. All drawings, specifications, and accompanying data required by the Building Official to be prepared by an architect or engineer shall be affixed with their official seal.

Design Professional: The design professional shall be an architect or engineer legally registered under the laws of this state regulating the practice of architecture or engineering and shall affix their official seal to said drawings, specifications and accompanying data, for the following:

1. All Group A, E, and I occupancies.
2. Buildings and structures three stories or more high.
3. Buildings and structures 5000 square feet or more in area.

For all other buildings and structures, the submittal shall bear the certification of the applicant that some specific state law exception permits its preparation by a person not so registered.

Commercial Building Permit Checklist (Non-Residential, less than four-plex)

1. Complete permit application to include the following:
 - a. Address of project
 - b. Phone number & fax number of applicant
 - c. Project valuation (materials & labor)
2. Two (2) complete sets of drawing and one (1) set of specifications; each set of drawings to include:
 - a. Building code analysis to include the following:
 - Occupancy classification
 - Occupancy load
 - Type of construction
 - Max height of building(s) and number of stories
 - Total square footage of building(s)
 - b. Each set of drawings should include the following:
 - Floor plans
 - Structural plans
 - Electrical, mechanical and plumbing plans
 - Site utility plan
 - Drawings must be stamped by an architect or engineer licensed in the state of Arkansas. *
3. State law requires that contractors be licensed in the state of Arkansas before bidding or performing work in excess of \$20,000. For more information contact:

Contractor License Board
621 East Capital Ave.
Little Rock, AR 72201
(501) 372-4661

* Plans and specifications for construction work exceeding \$100,000 in value accept residential work including less than four units, is subject to compliance with Arkansas Architectural Act, State of Arkansas Act 18 of 1981

Please submit all commercial building permits to:

Pottsville Fire Department & Pottsville Code Authority
173 E Ash
Pottsville, AR 72858.

If questions arise you may contact the Department at 479-968-3029 or 479-880-6152

ORDINANCE NO. 06-7

AN ORDINANCE REQUIRING BUILDERS OF COMMERCIAL BUILDINGS OR COMMERCIAL ADDITIONS TO PROVIDE NECESSARY PAPERWORK AND PLANS TO THE POTTSVILLE PLANNING AND ZONING COMMITTEE, POTTSVILLE FIRE MARSHALL OR FIRE CHIEF, AND CODE ENFORCEMENT REPRESENTATIVE FOR BUILDING PROJECTS OCCURRING WITHIN THE POTTSVILLE CITY LIMITS BEFORE A BUILDING PERMIT WILL BE ISSUED

WHEREAS, the city of Pottsville is currently without adequate requirements for those businesses who are engaging in new building projects or add-on projects within the city limits to provide plans of the project to the Planning and Zoning Commission and the Pottsville Fire Marshall or Fire Chief and any code enforcement representative hired by the city of Pottsville; and,

WHEREAS, the City Council has determined that it is in the best interest of the city to require all persons, partnerships, associations, companies and corporations to adequately inform the Planning and Zoning Commission, Pottsville Fire Marshall or Fire Chief and any code enforcement representative with a comprehensive set of plans for any commercial building project they intend to build within the city limits of the city of Pottsville before a building permit is issued.

NOW, THEREFORE, BE IT ORDAINED BY THE CITY COUNCIL OF THE CITY OF POTTSVILLE, ARKANSAS:

Section 1. Whenever any person, partnership, association, company or corporation hereinafter referred to as "person" shall engage or hire anyone to engage in a building project, either an addition to an existing commercial structure or separate new commercial project, that person shall comply with the following requirements.

Section 2. Any person who is engaged in a commercial building project and who is seeking a building permit through the Planning and Zoning Commission must provide to each individual Planning and Zoning Commission member, Pottsville Fire Chief or Pottsville Fire

Marshal, and any local code enforcement representative, if one exists, a comprehensive set of plans of the project architect or project engineer. These plans must adequately and completely set out building dimensions as well as proposed plumbing and electrical, as well as exits, heat/air, proposed capacity gas lines and fire hydrants. This is not an exhaustive list. These specifications must be received by the above individuals no later than two weeks before the Planning and Zoning Commission meeting. Bringing the above information to City Hall two weeks before any Planning and Zoning Commission meeting **DOES NOT** comply with this Ordinance. The person has the obligation to provide this information to those mentioned above.

Section 3. The purpose of requiring of this Ordinance is to allow the above referenced personnel the opportunity to adequately review all plans and to intelligently discuss the proposed plan at the Planning and Zoning Commission meeting before a building permit is issued.

Section 4. If the Planning and Zoning Commission feels the person has not adequately set out the plans per this Ordinance, or is not in compliance with any other Ordinance relating to the commercial building project in the city limits, they can continue the meeting until the builder adequately provides a comprehensive set of plans two weeks prior to any future Planning and Zoning Commission meeting to those mentioned previously mentioned in this Ordinance.


Section 5. Emergency Clause. This ordinance being necessary for the health, safety, and welfare of the citizens of Pottsville, Arkansas, based upon the reasons stated above, an emergency is declared to exist, and this Ordinance shall take effect and be enforced from and after its passage, approval and publication as provided by law.

Ordained this 28 day of August, 2006.



JERRY DUVALL, MAYOR

ATTEST:



City Clerk/Recorder

Inspection

Sheet

It is the responsibility of the contractor to place the inspection worksheets in a dry secure container on the jobsite where it is accessible to the inspector.

Required inspections:

Footing:

Slab:

Plumbing: Rough In Top Out

Framing:

Electrical: Rough In Green Tag- Final

HVAC: Rough In Final

Certificate of Occupancy Overall Final

The building inspector, upon notification, will within 24 hours make the requested Inspection.

PLANNING AND ZONING MEMBERS

JOHN SCHAEFFER-CHAIRMAN
3125 RIVER RD
POTTSVILLE, AR 72858

ROBBY SIMS
193 HUTCHERSON RD
RUSSELLVILLE, AR 72802

STEVE WILLIAMSON
711 SWEEDEN RD
RUSSELLVILLE, AR 72802

ANDY YEAGER
78 POPPY DR
POTTSVILLE, AR 72858

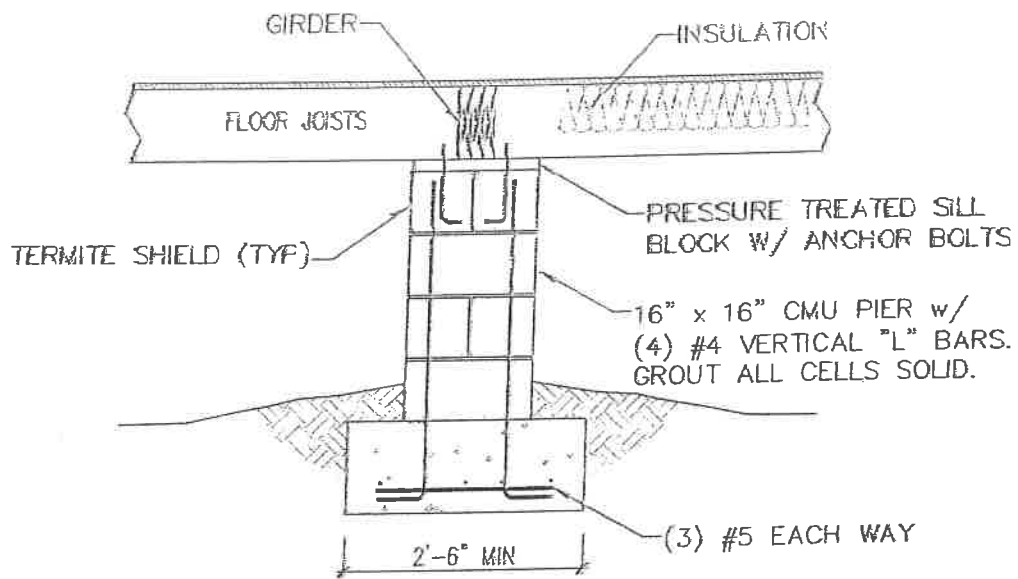
BRYAN KETCHUM
3659 RIVER RD
POTTSVILLE, AR 72858

GENERAL FOUNDATION NOTES

1. FOUNDATION DESIGN IS BASED ON A MINIMUM 1,500 PSF SOIL BEARING CAPACITY ON NON EXPANSIVE MATERIAL. THE CONTRACTOR SHALL VERIFY CONDITIONS AND NOTIFY THE ENGINEER FOR FOUNDATION REDESIGN IF CONDITIONS DO NOT COMPLY.
2. PRIOR TO FOUNDATIONS BEING STARTED, VEGETATION SHALL BE REMOVED AND THE BUILDING AREA SHALL BE STRIPPED TO A DEPTH OF 8" MINIMUM AND TOP SOIL STOCKPILED FOR LANDSCAPING USE. THE BUILDING PAD SHALL BE PROOF-ROLLED AND ANY UNSTABLE AREAS SHALL BE UNDERCUT AND BACKFILLED WITH SELECT FILL AND COMPACTED. ALL FILL MATERIAL SHALL BE PLACED IN LOOSE LIFTS NOT TO EXCEED 8" AND COMPACTED TO A DENSITY OF NOT LESS THAN 95% STANDARD PROCTOR.
3. UNLESS NOTED OTHERWISE, INTERIOR CONCRETE SHALL BE 4" THICK 3,000 PSI AT 28 DAYS REINFORCED WITH 6x6 W1.4xW1.4 WIRE REINFORCING AT MID DEPTH OF SLAB.
4. UNLESS NOTED OTHERWISE, EXTERIOR CONCRETE SHALL BE 4" THICK 3,500 PSI AT 28 DAYS WITH 5% AIR ENTRAINMENT AND REINFORCED WITH 6x6 W1.4xW1.4 WIRE REINFORCING AT MID DEPTH OF SLAB.
5. UNLESS NOTED OTHERWISE, ALL CONCRETE FOOTINGS SHALL BE 4,000 PSI AT 28 DAYS
6. PROVIDE A MINIMUM OF 4" COMPACTED GRANULAR FILL BELOW ALL SLABS ON GRADE.
7. REINFORCING STEEL BARS TO BE MINIMUM #4 AND SHALL HAVE A YIELD STRENGTH (Fy) OF NOT LESS THAN 60,000 PSI (60 KSI). ARRANGEMENT AND BENDING OF REINFORCING STEEL SHALL BE IN ACCORDANCE WITH THE LATEST EDITION OF THE ACI DETAILING MANUAL.
8. LAP REINFORCEMENT MEMBERS A MINIMUM OF 40 BAR DIAMETERS
9. PROVIDE A MINIMUM CONCRETE COVER OF 3" OVER REINFORCING BARS.
10. PROVIDE CORNER BARS AT ALL CORNERS, INTERSECTIONS OF FOOTINGS, AND WALLS. USE SAME BAR SIZE AS CONTINUOUS REINFORCING. PROVIDE (1) #4 3'-0" LONG AT EACH BLOCK OUT CORNER. PLACE REINFORCING AT MID DEPTH OF CONCRETE.
11. ALL CONTINUOUS FOOTING SHALL BE CENTERED UNDER WALLS UNLESS NOTED OTHERWISE.
12. REFER TO ARCHITECTURAL PLANS AND SPECIFICATIONS FOR CONCRETE SLAB FINISH REQUIREMENTS, NON SLIP SHAKE ON ADDITIVES, AND FLOOR HARDENERS AND/OR SEALERS.
13. REFER TO MECHANICAL, ELECTRICAL, AND PLUMBING PLANS FOR LOCATIONS OF FLOOR DRAINS, DEPRESSED SLAB AREAS, AND CONDUIT AND PIPING RUNS.

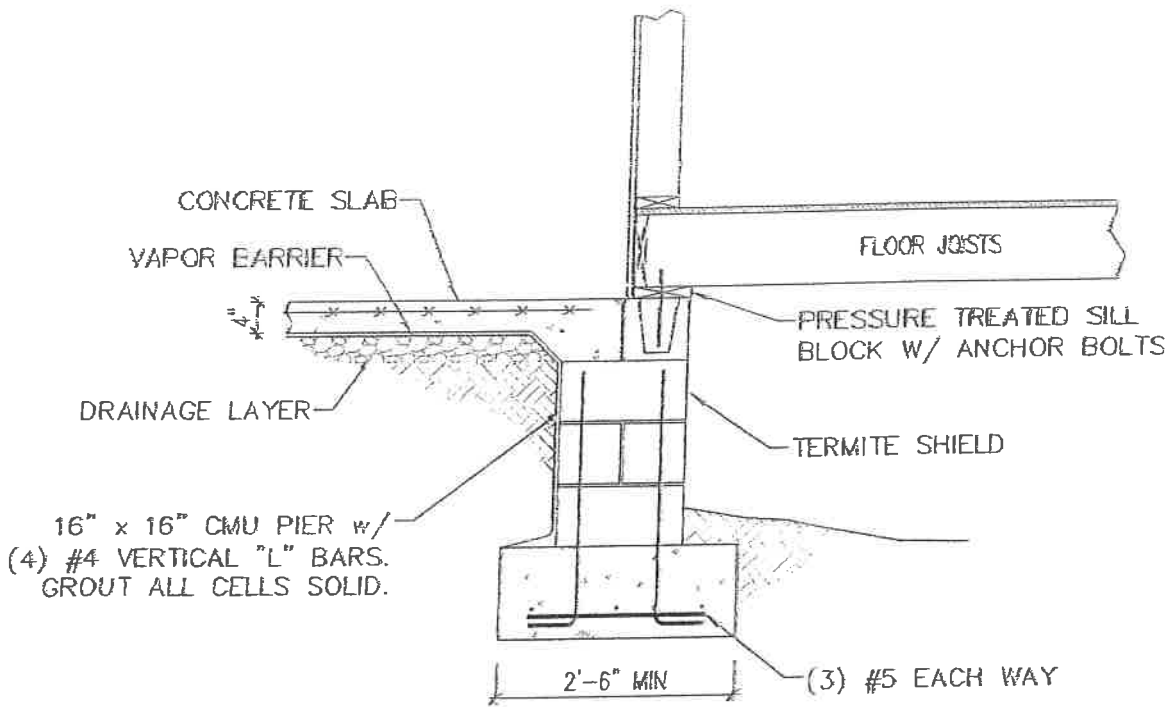
General Notes

01



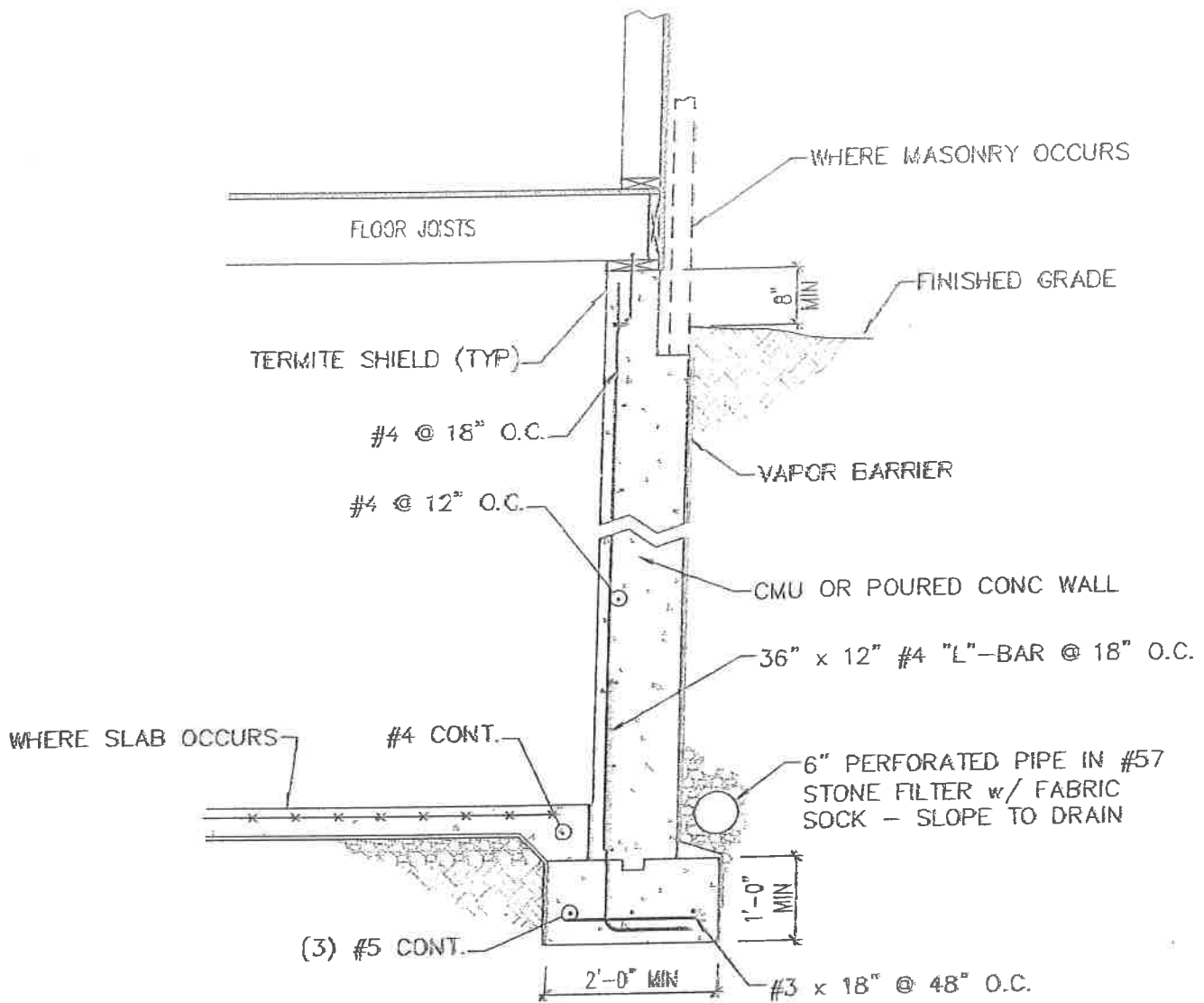
Pier Detail

02



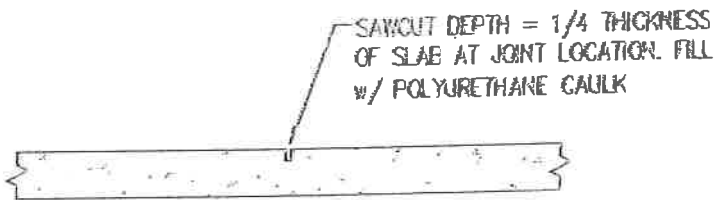
Pier & Slab Detail

03



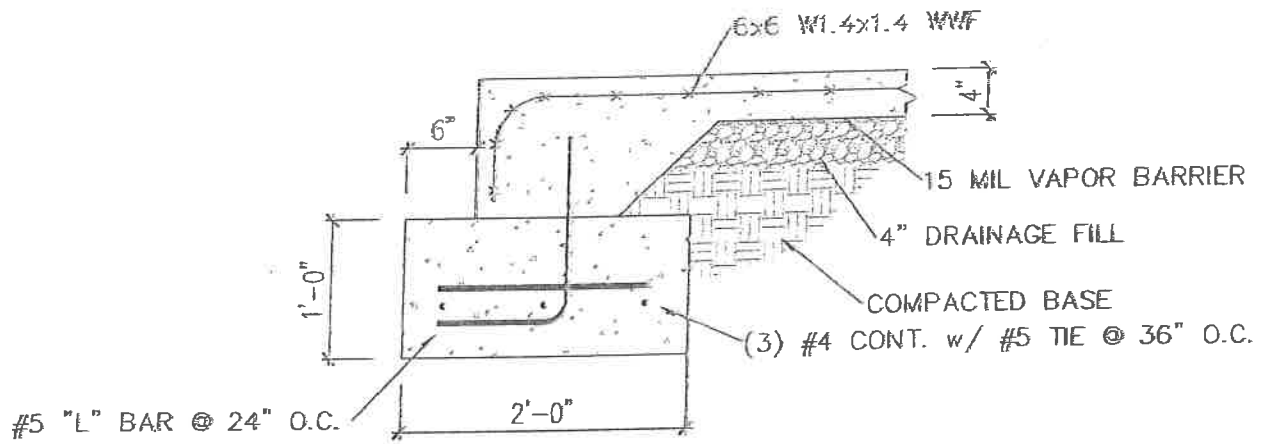
Foundation Wall

04



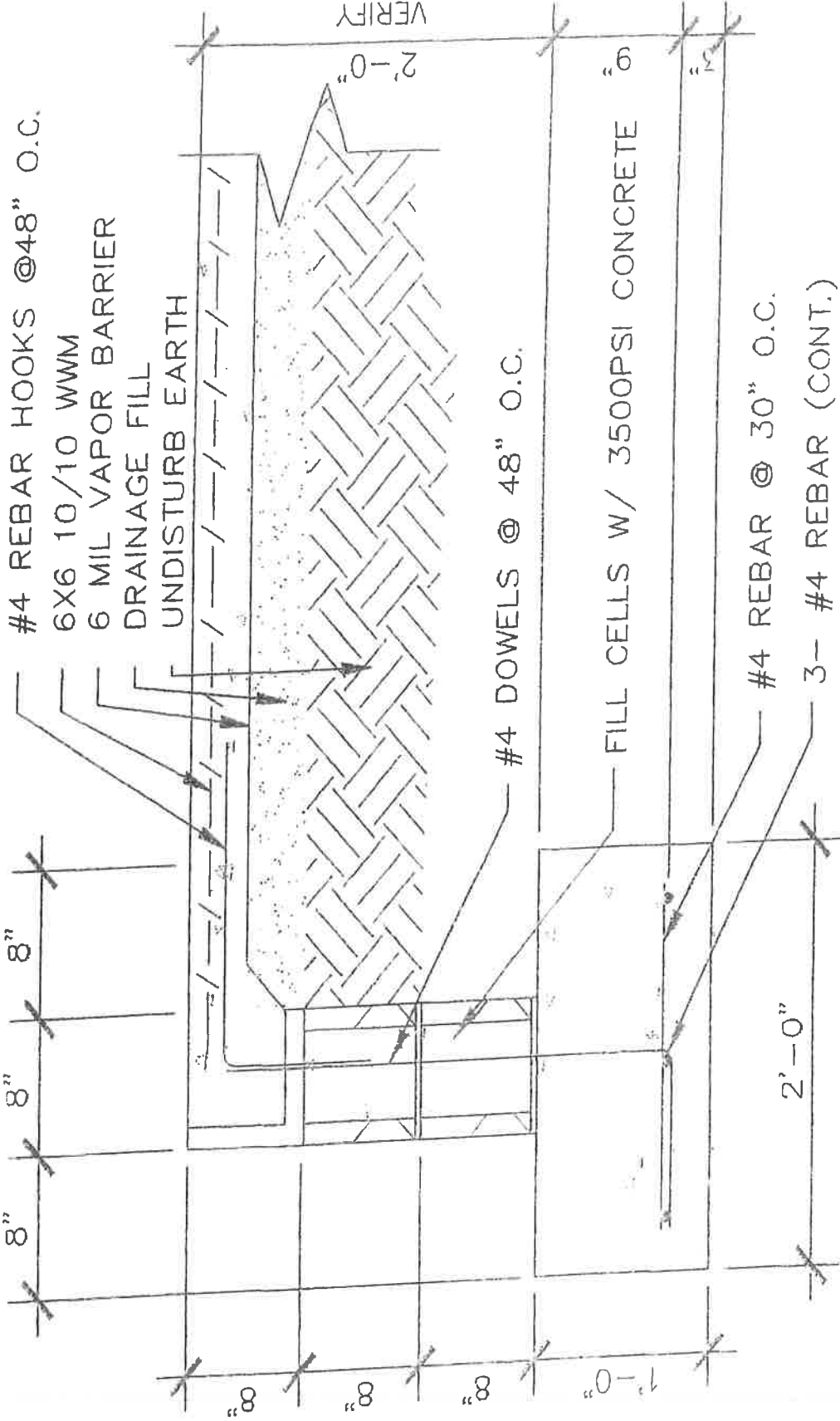
NOTE:
SAWCUTS ARE TO BE MADE AS SOON AS POSSIBLE
AFTER INITIAL SET WHEN CUTS CAN BE MADE WITHOUT
REVELING SLAB SURFACE, BUT NO LATER THAN 24
HOURS AFTER PLACEMENT.

Saw Cut Detail	05
----------------	----



Slab Edge

06



FOOTING DETAIL " B "

I hereby sign and agree that all work will be done in accordance to the Building Code and The City of Pottsville. I have read pages 1-7 on this packet and agree to do all work according to plans and specifications of this packet.

Sign: _____

Date: _____